

## V300 SERIES SIDE HINGED DOOR

### FEATURES

- ◇ **Commercial Framing System**
  - 3 1/4" main frame
- ◇ **Enhanced Design**
  - Mitered and fusion welded corners
  - 2 1/2" threshold
- ◇ **Glazing**
  - 1" insulated glass
- ◇ **Hardware**
  - Multi-point WHS hardware
  - Butt hinges
  - Keyed hardware
- ◇ **Colors**
  - White or Sandstone vinyl (interior/exterior)

### OPTIONS

- ◇ **Available Configurations**
  - 1-panel (hinge left or hinge right)
  - Inswing or Outswing
  - Fixed Sidelites
  - Fixed Transoms
- ◇ **Sill**
  - ADA threshold with 10" bottom rail
- ◇ **Muntin Choices**
  - Internal or simulated divided lites available
- ◇ **Glazing**
  - Capillary tubes
  - Wide variety of glazing, tinting and thickness options
- ◇ **Colors**
  - Twelve painted exterior colors (with White or Sandstone vinyl interior)
  - Unlimited custom painted exterior colors
  - Textured laminate options (black/black or black exterior/white interior)

### PERFORMANCE

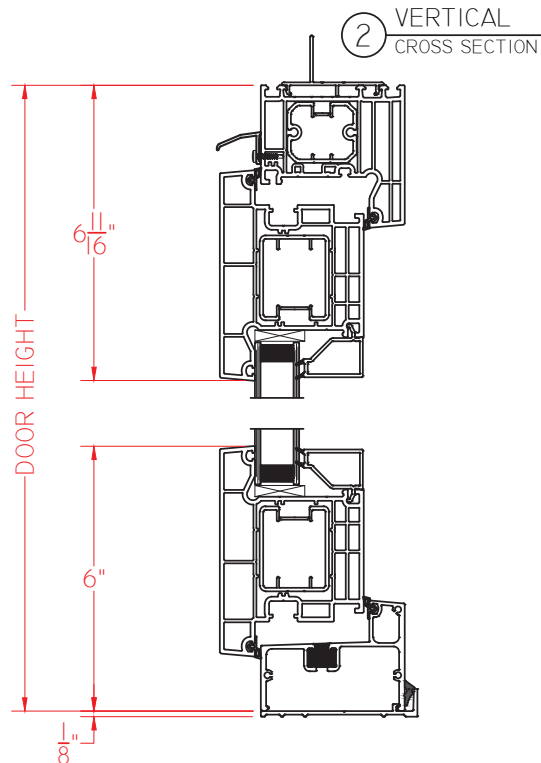
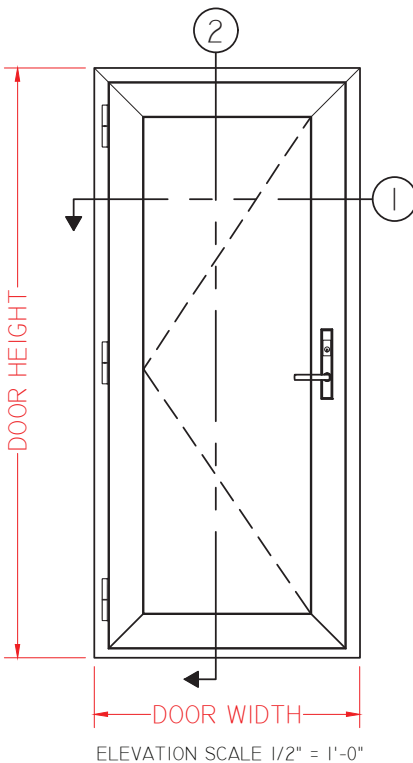
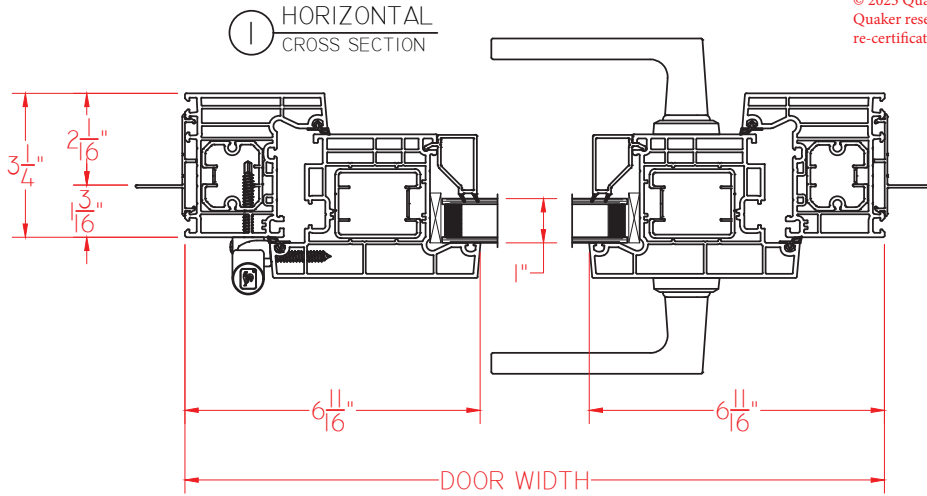
- ◇ Structural & Thermal (test reports or thermal simulations available upon request)

| Model   | Side Hinged Door |
|---|------------------|
|   | 1-panel          |
| AAMA/WDMA/CSA 101/I.S.2/A440-08 Rating                      | CW-PG50-SHD      |
| Air Infiltration (cfm/ft <sup>2</sup> )                     | <0.30            |
| Water (No Penetration) P.S.F.                               | 7.5              |
| U-Value (ranges based on multiple Low-E/Argon combinations) | 0.21 - 0.30      |
| SHGC (ranges based on multiple Low-E/Argon combinations)    | 0.09 - 0.24      |
| Test size   | 40" x 84"        |



# V300 SERIES SIDE HINGED DOOR

This document contains confidential and proprietary information intended for the private use of Quaker.  
© 2023 Quaker Window Products Co., INC. All rights reserved.  
Quaker reserves the right to change any/all designs without notice. Due to periodic re-certification requirements, result shown may vary.



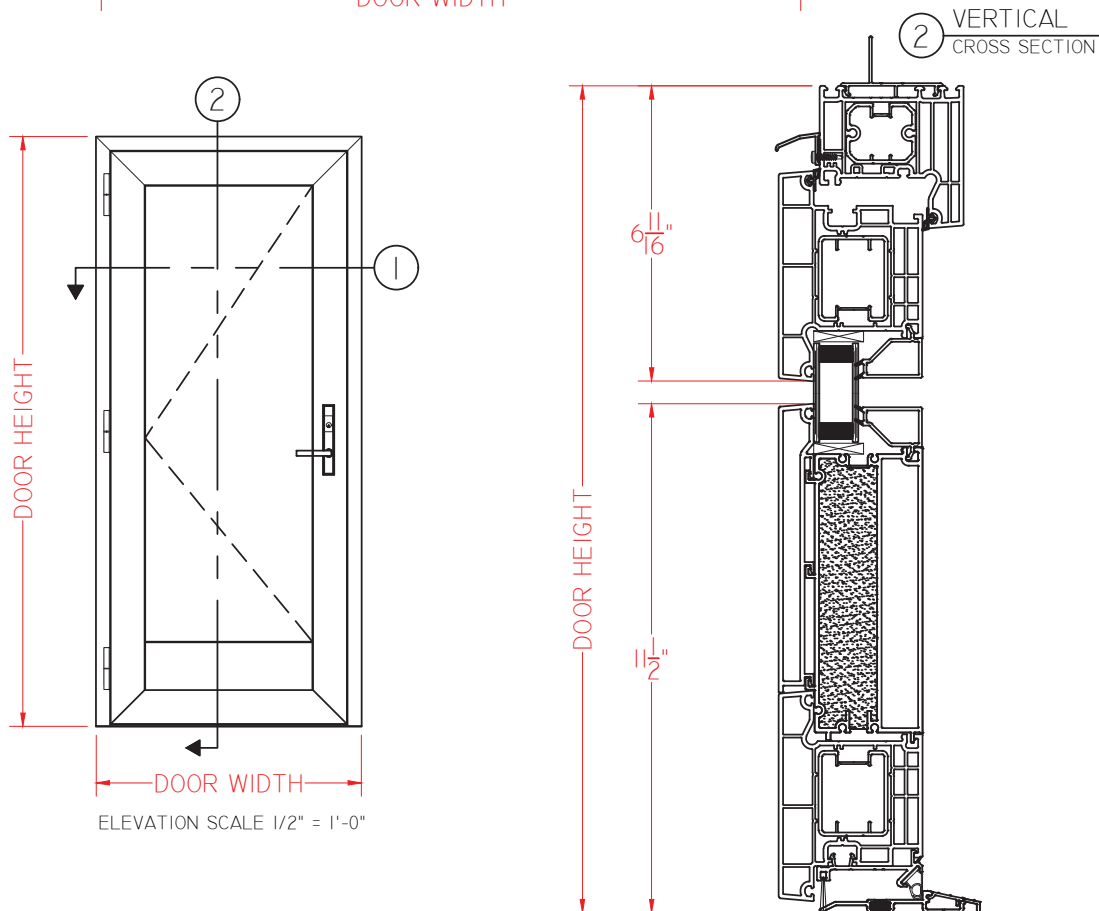
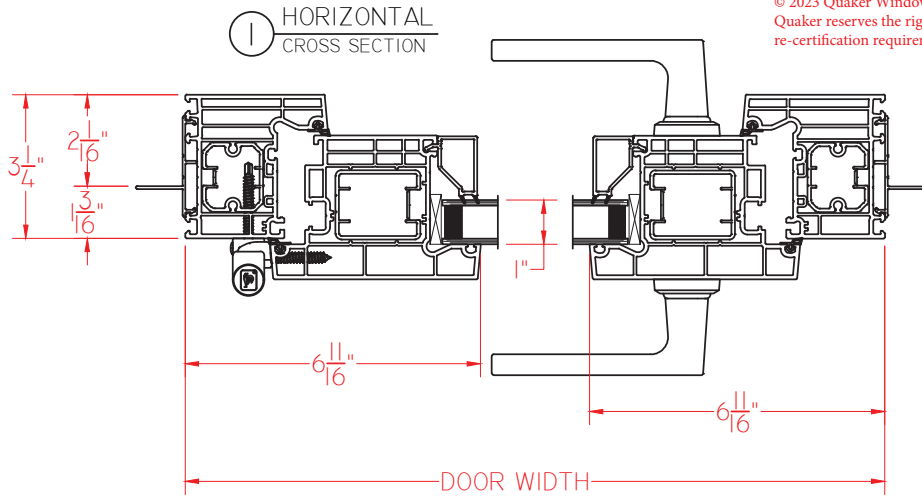
SCALE 3" = 1'-0"

Our products are tested to the standards of and certified by some of the foremost organizations in the fenestration industry.



# V300 SERIES SIDE HINGED DOOR

This document contains confidential and proprietary information intended for the private use of Quaker.  
 © 2023 Quaker Window Products Co., INC. All rights reserved.  
 Quaker reserves the right to change any/all designs without notice. Due to periodic re-certification requirements, result shown may vary.



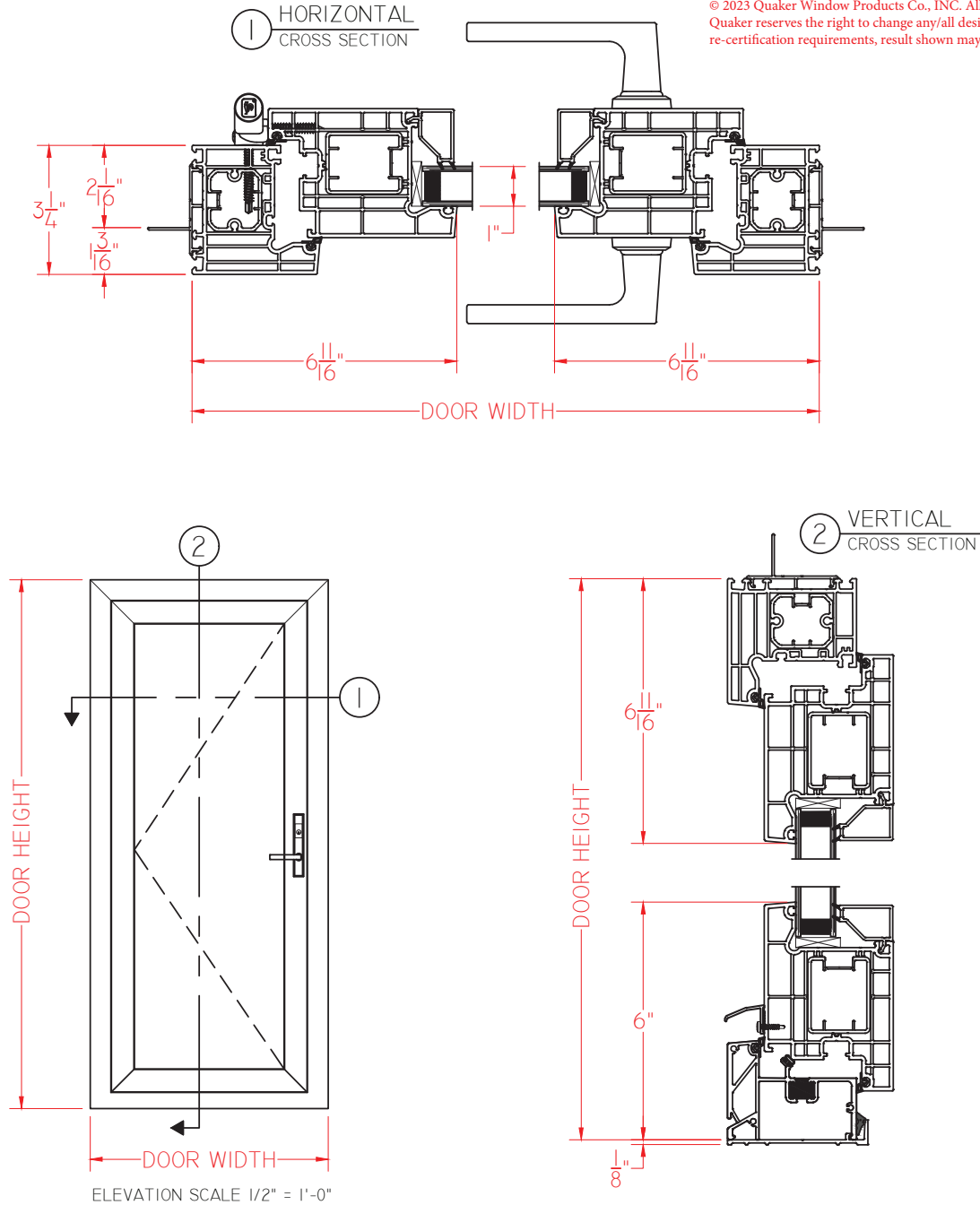
SCALE 3" = 1'-0"

Our products are tested to the standards of and certified by some of the foremost organizations in the fenestration industry.



# V300 SERIES SIDE HINGED DOOR

This document contains confidential and proprietary information intended for the private use of Quaker.  
 © 2023 Quaker Window Products Co., INC. All rights reserved.  
 Quaker reserves the right to change any/all designs without notice. Due to periodic re-certification requirements, result shown may vary.



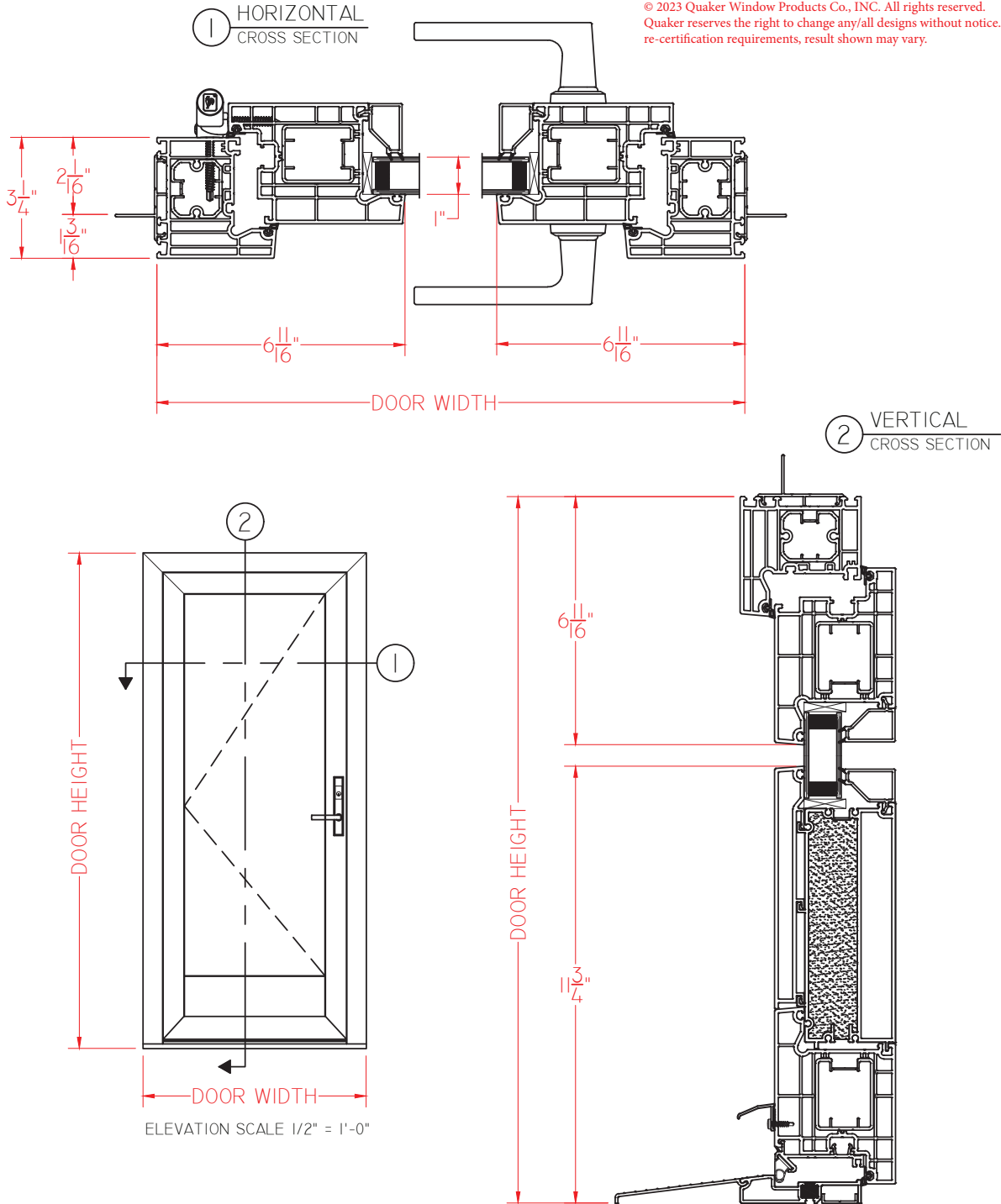
Our products are tested to the standards of and certified by some of the foremost organizations in the fenestration industry.



SCALE 3" = 1'-0"

# V300 SERIES SIDE HINGED DOOR

This document contains confidential and proprietary information intended for the private use of Quaker.  
 © 2023 Quaker Window Products Co., INC. All rights reserved.  
 Quaker reserves the right to change any/all designs without notice. Due to periodic re-certification requirements, result shown may vary.



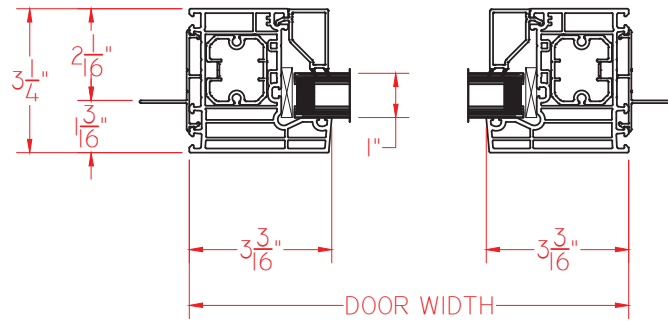
SCALE 3" = 1'-0"

Our products are tested to the standards of and certified by some of the foremost organizations in the fenestration industry.

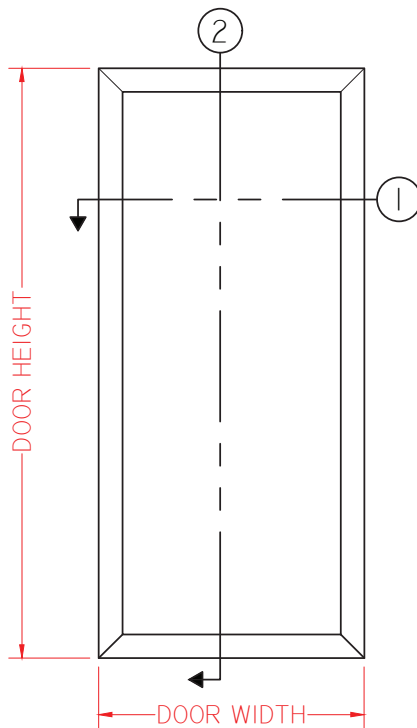


# V300 SERIES SIDE HINGED DOOR

① HORIZONTAL  
CROSS SECTION

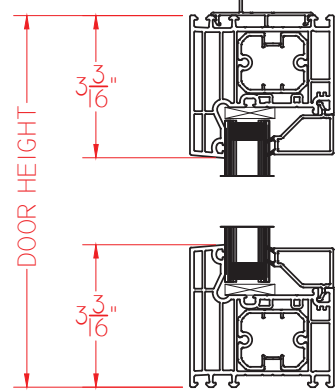


This document contains confidential and proprietary information intended for the private use of Quaker.  
© 2023 Quaker Window Products Co., INC. All rights reserved.  
Quaker reserves the right to change any/all designs without notice. Due to periodic re-certification requirements, result shown may vary.



ELEVATION SCALE 1/2" = 1'-0"

② VERTICAL  
CROSS SECTION



SCALE 3" = 1'-0"

Our products are tested to the standards of and certified by some of the foremost organizations in the fenestration industry.

